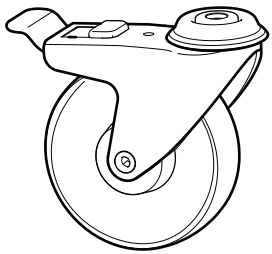
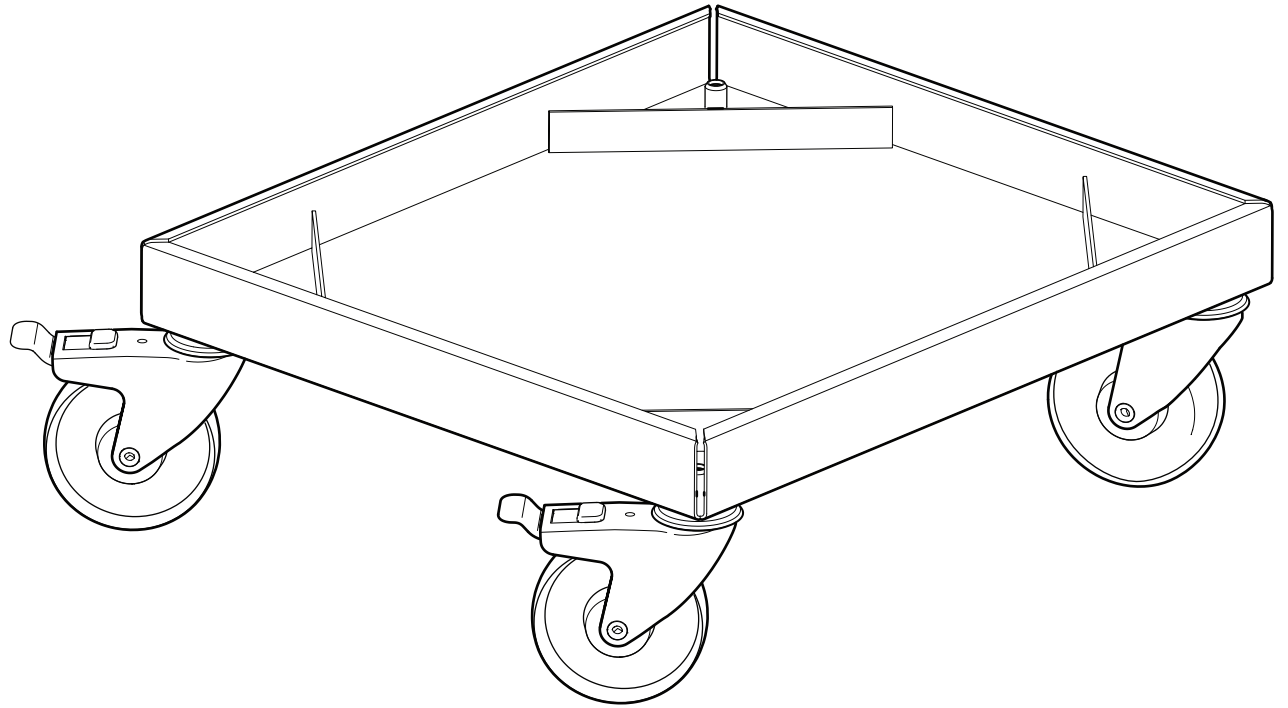


M10x30

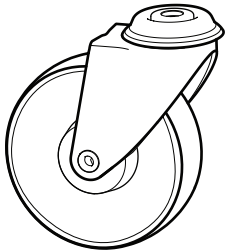
4x



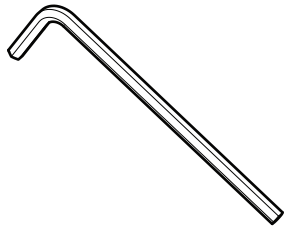
4x



2x



2x



1x

1

