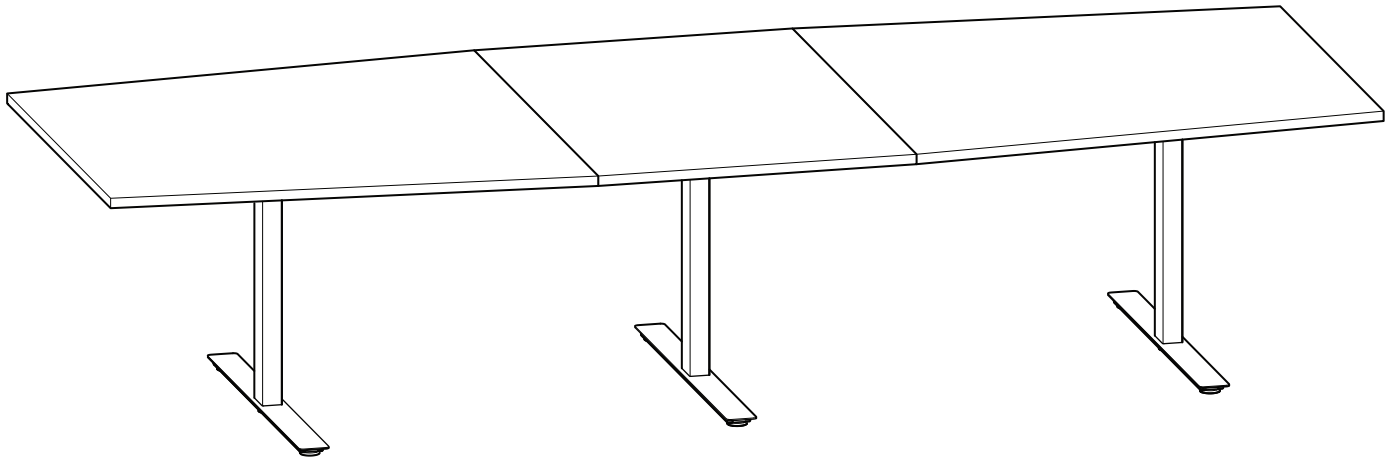
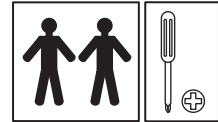


Assembly instructions

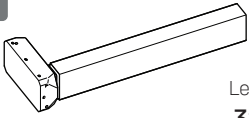
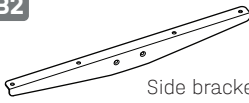
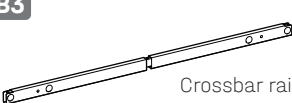
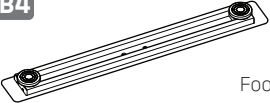
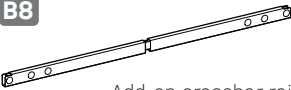

Fixed 3-4 leg conference table



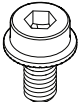
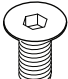

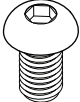
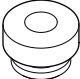

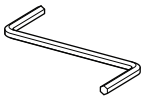
PACKAGE CONTENTS (3-LEG TABLE)



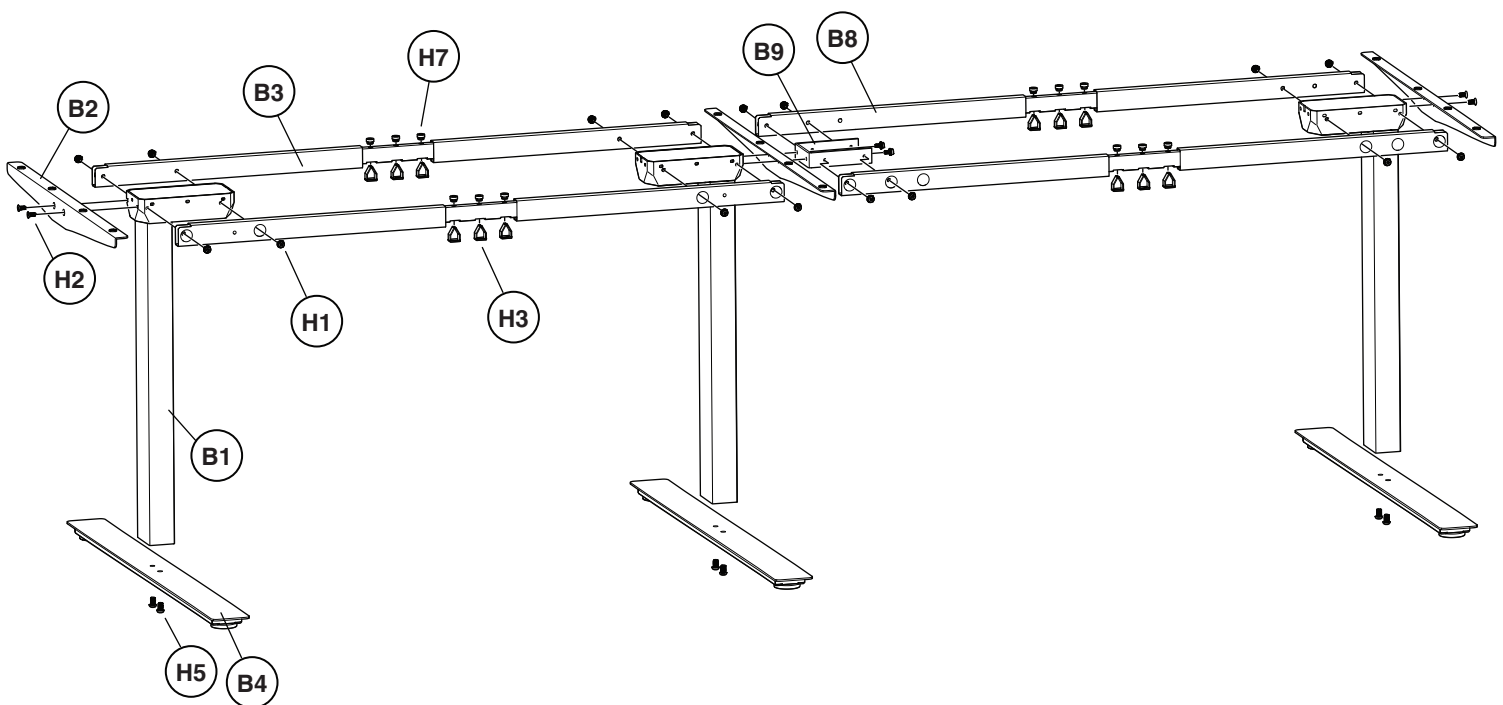
DESK COMPONENTS

B1  Leg 3x	B2  Side bracket 3x	B3  Crossbar rail 2x	B4  Foot 3x
B8  Add-on crossbar rail 2x	B9  Add-on bracket 1x		

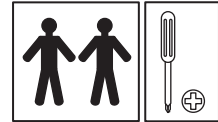
HARDWARE

H1  M6x12 18x	H2  M6x10 4x	H3  Screw clamp 12x	H5  M8x14 6x	H7  5mm rubber 12x	H8  Tapping screw 5x20 20x	T1  Hex key 1x

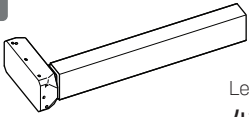
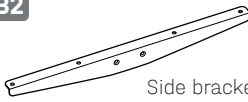
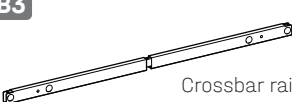
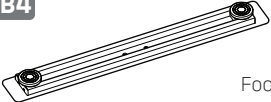
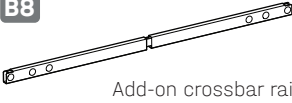
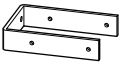
Note: There may be additional hardware included in the package, as these are used for different desk configurations.



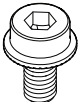
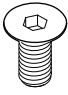

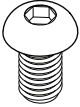
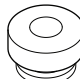

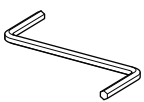
PACKAGE CONTENTS (4-LEG TABLE)



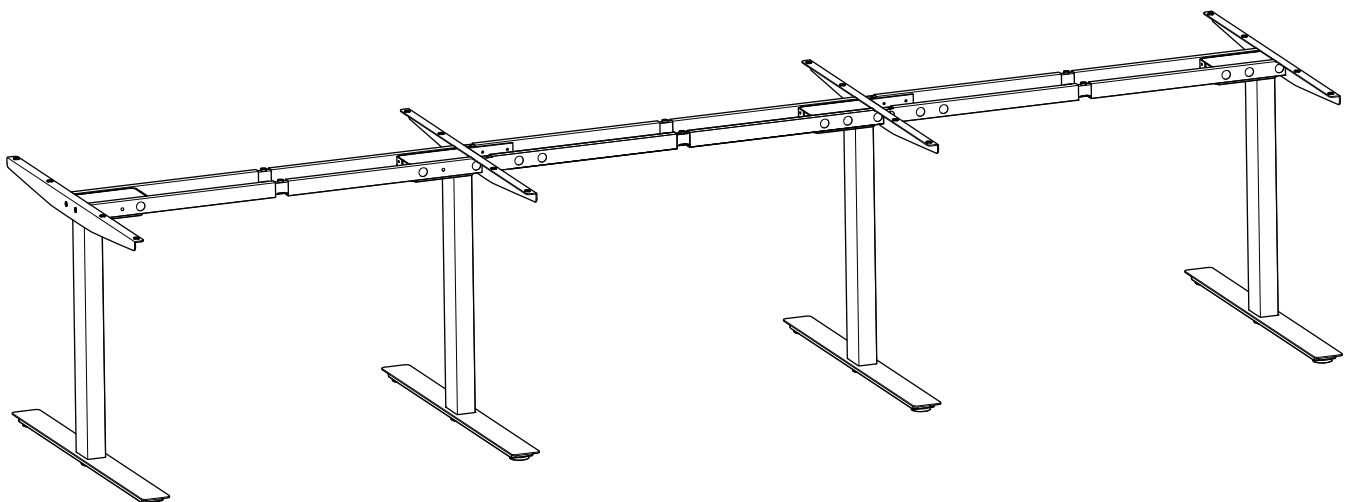
DESK COMPONENTS

B1  Leg 4x	B2  Side bracket 4x	B3  Crossbar rail 2x	B4  Foot 4x
B8  Add-on crossbar rail 4x	B9  Addon bracket 2x		

HARDWARE

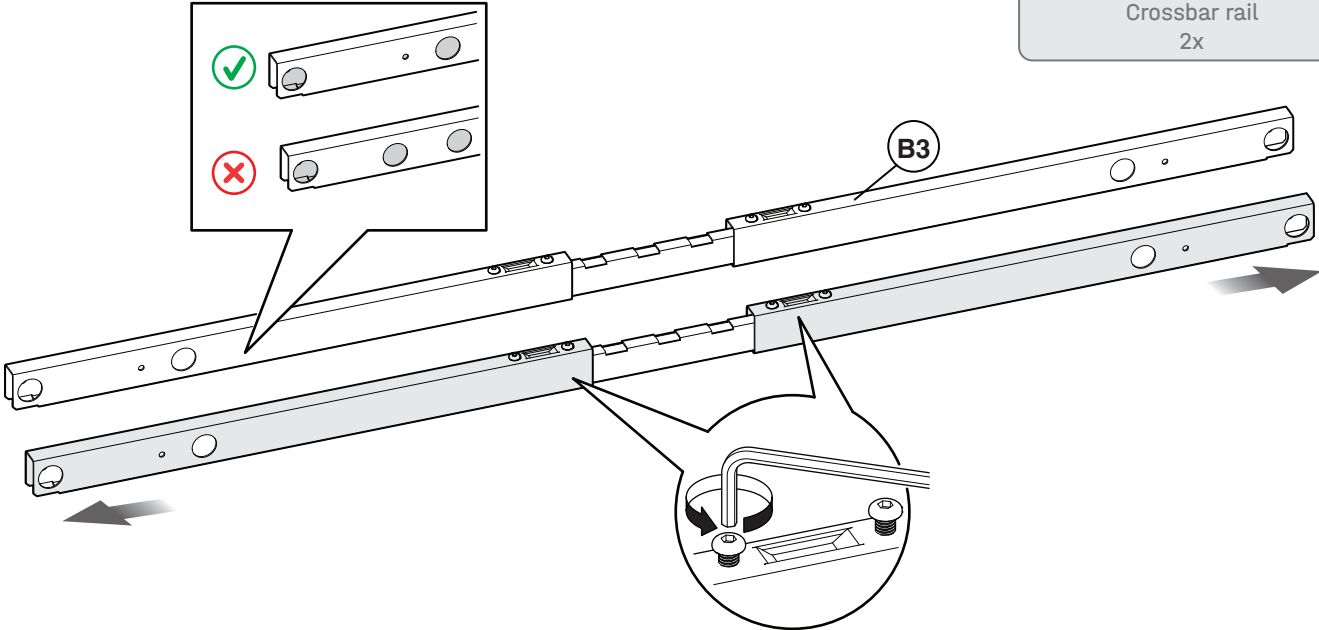
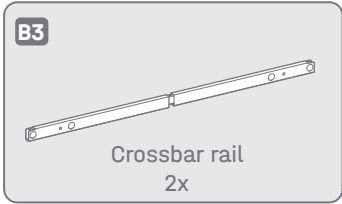
H1  M6x12 28x	H2  M6x10 4x	H3  Screw clamp 18x	H5  M8x14 8x	H7  5mm rubber 18x	H8  Tapping screw 5x20 28x	T1  Hex key 1x

Note: There may be additional hardware included in the package, as these are used for different desk configurations.

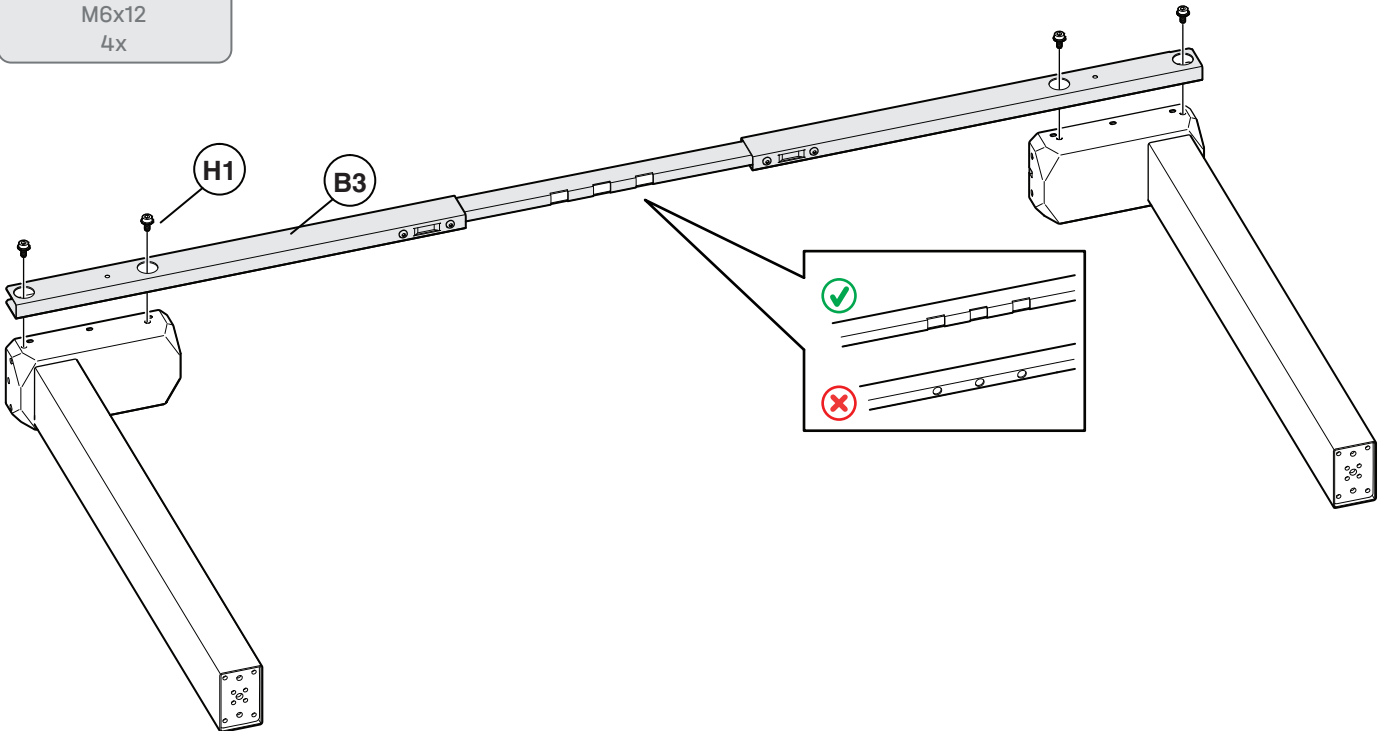
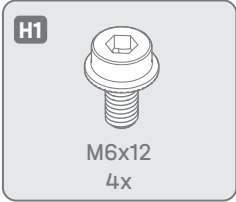


ASSEMBLY INSTRUCTIONS

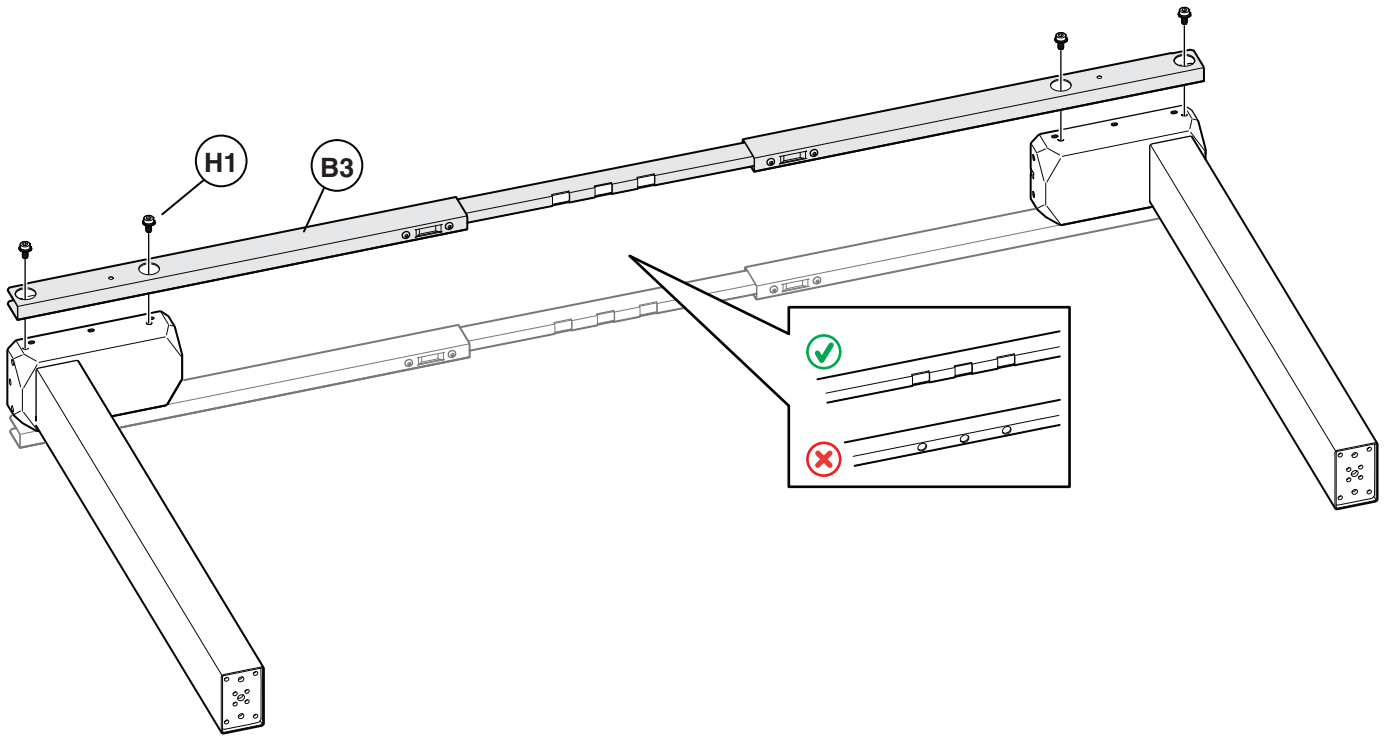
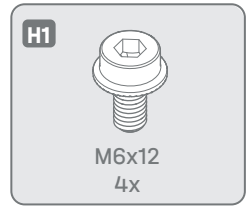
1



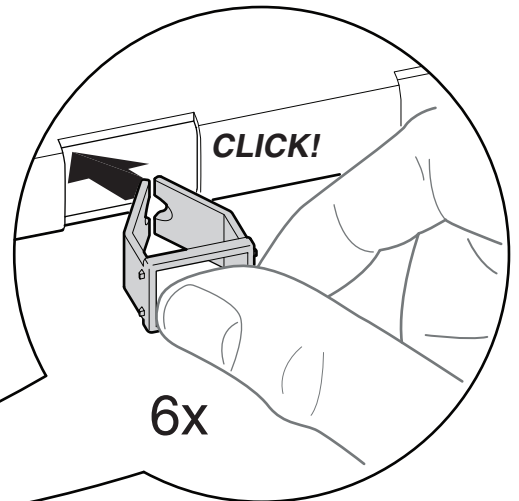
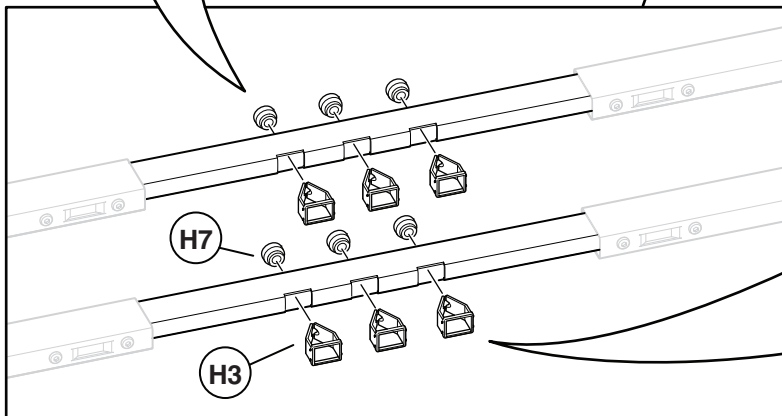
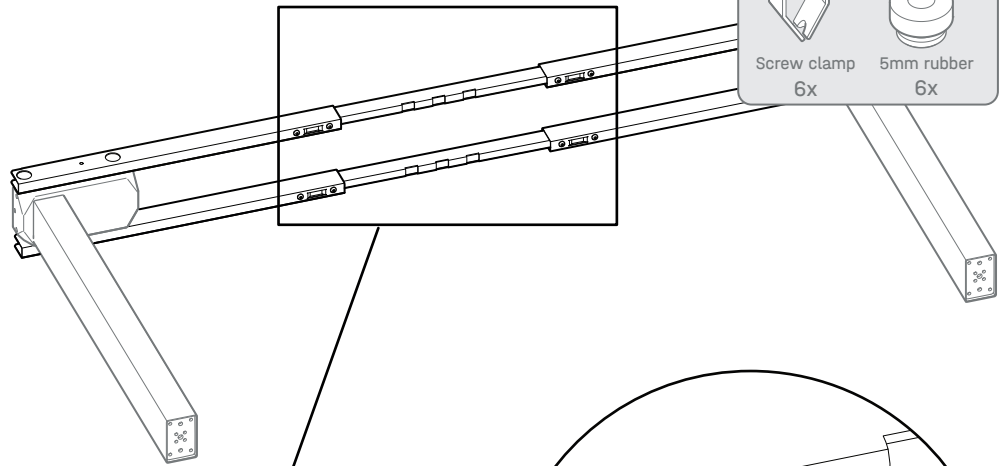
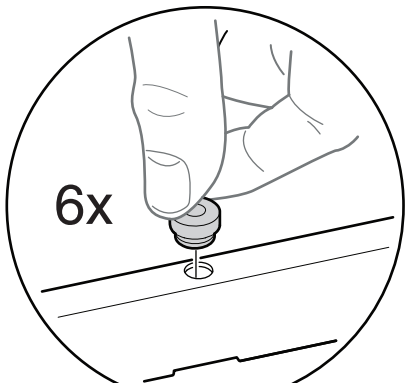
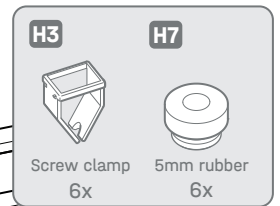
2



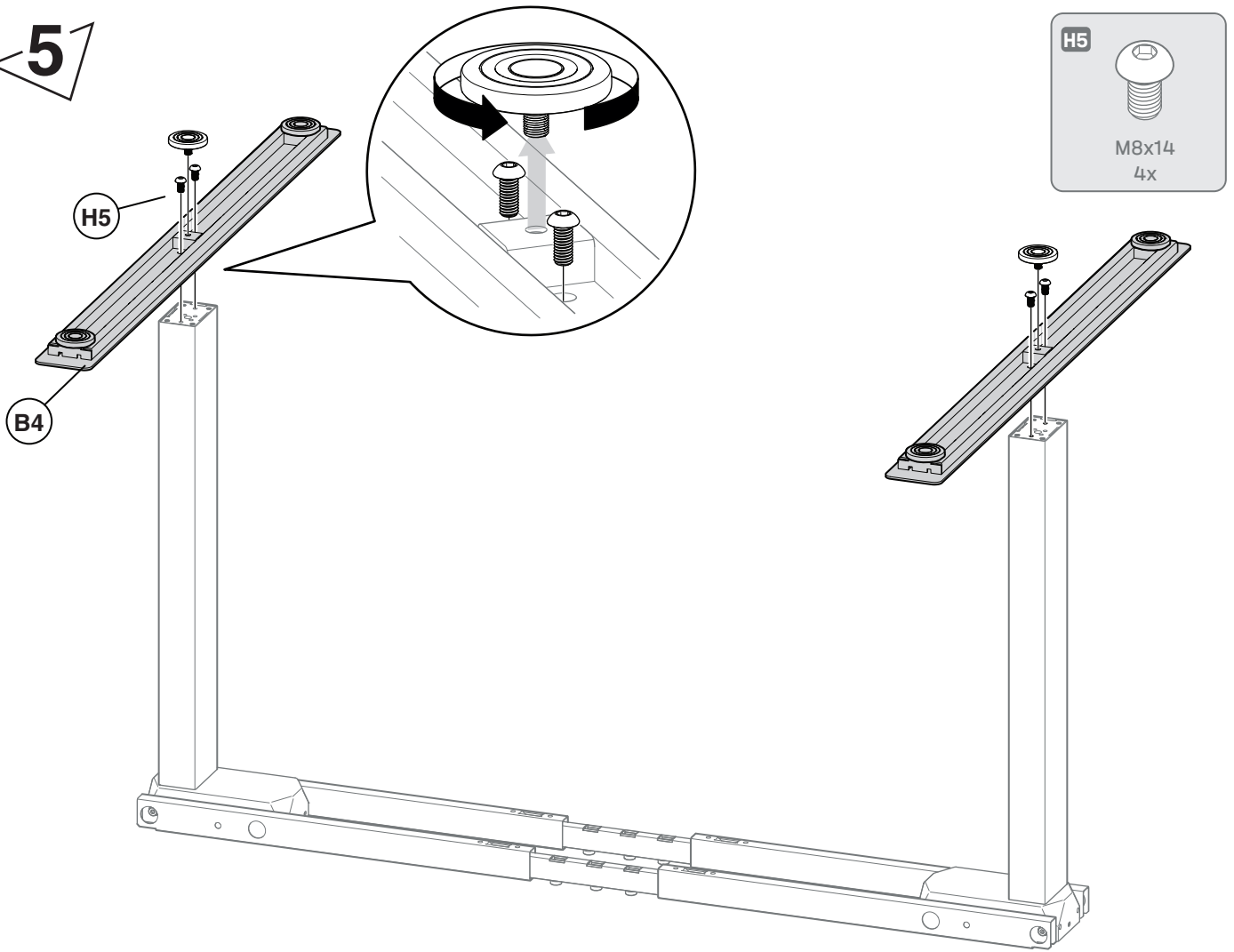
3



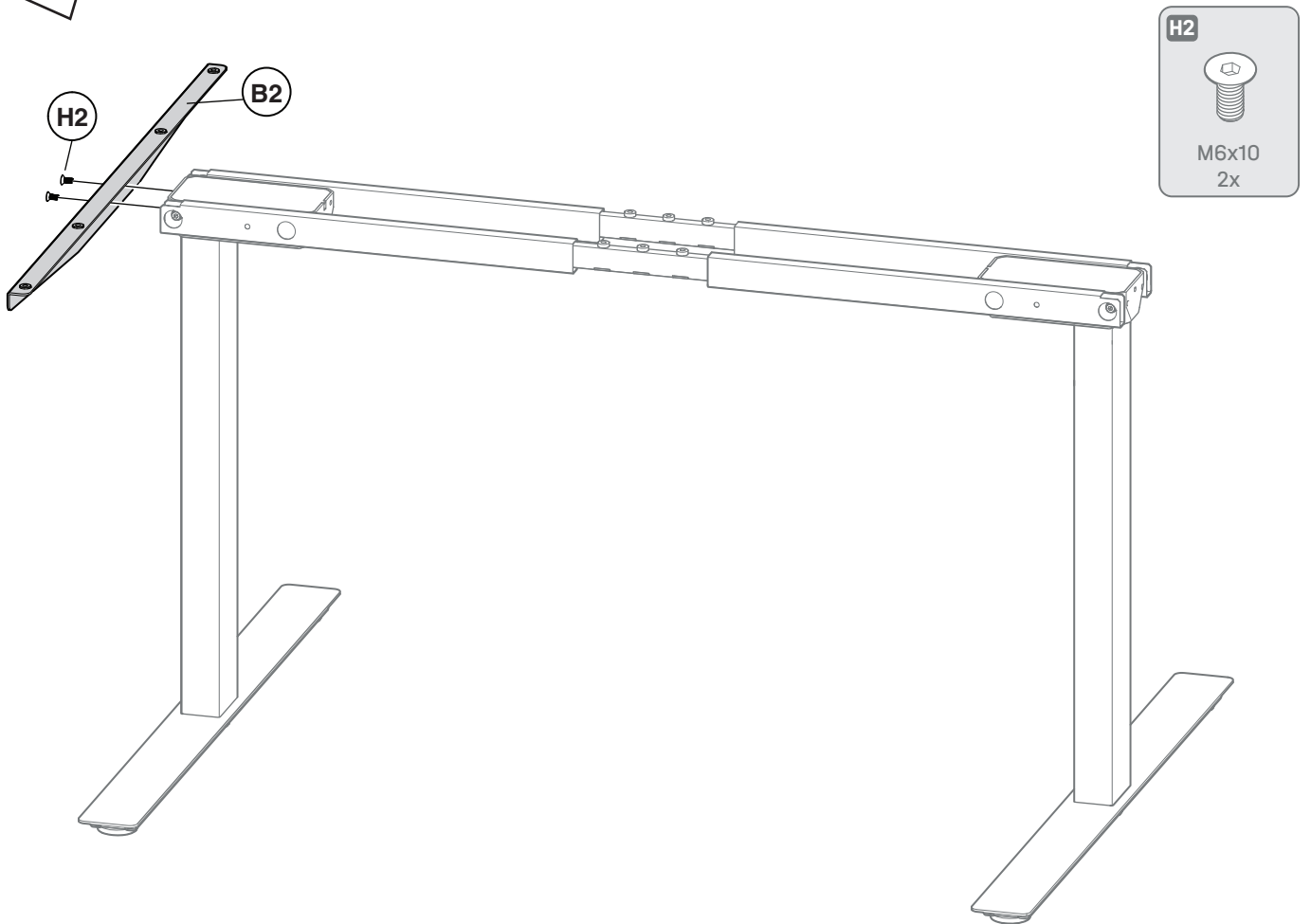
4



5

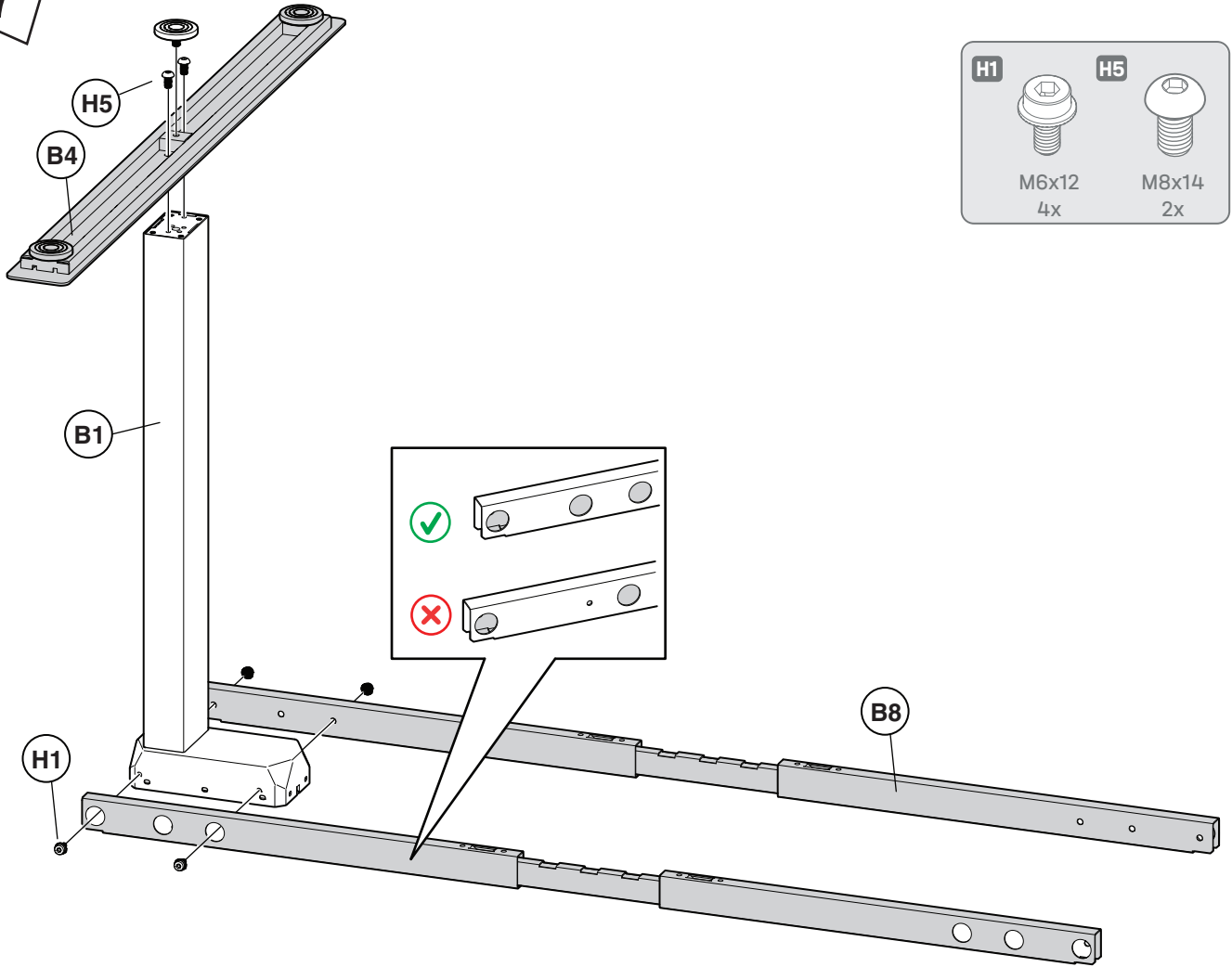


6

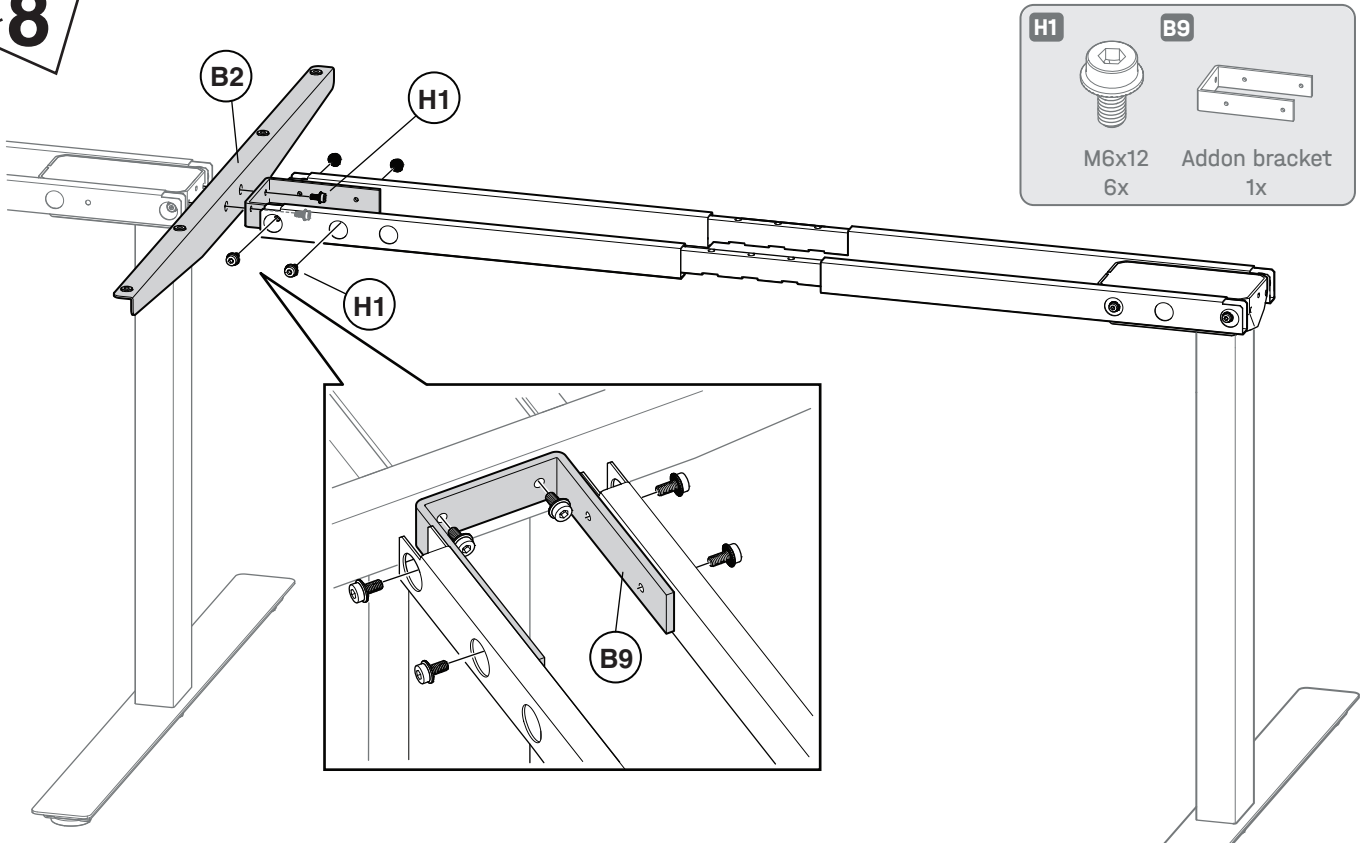


ADD-ON LEG ASSEMBLY

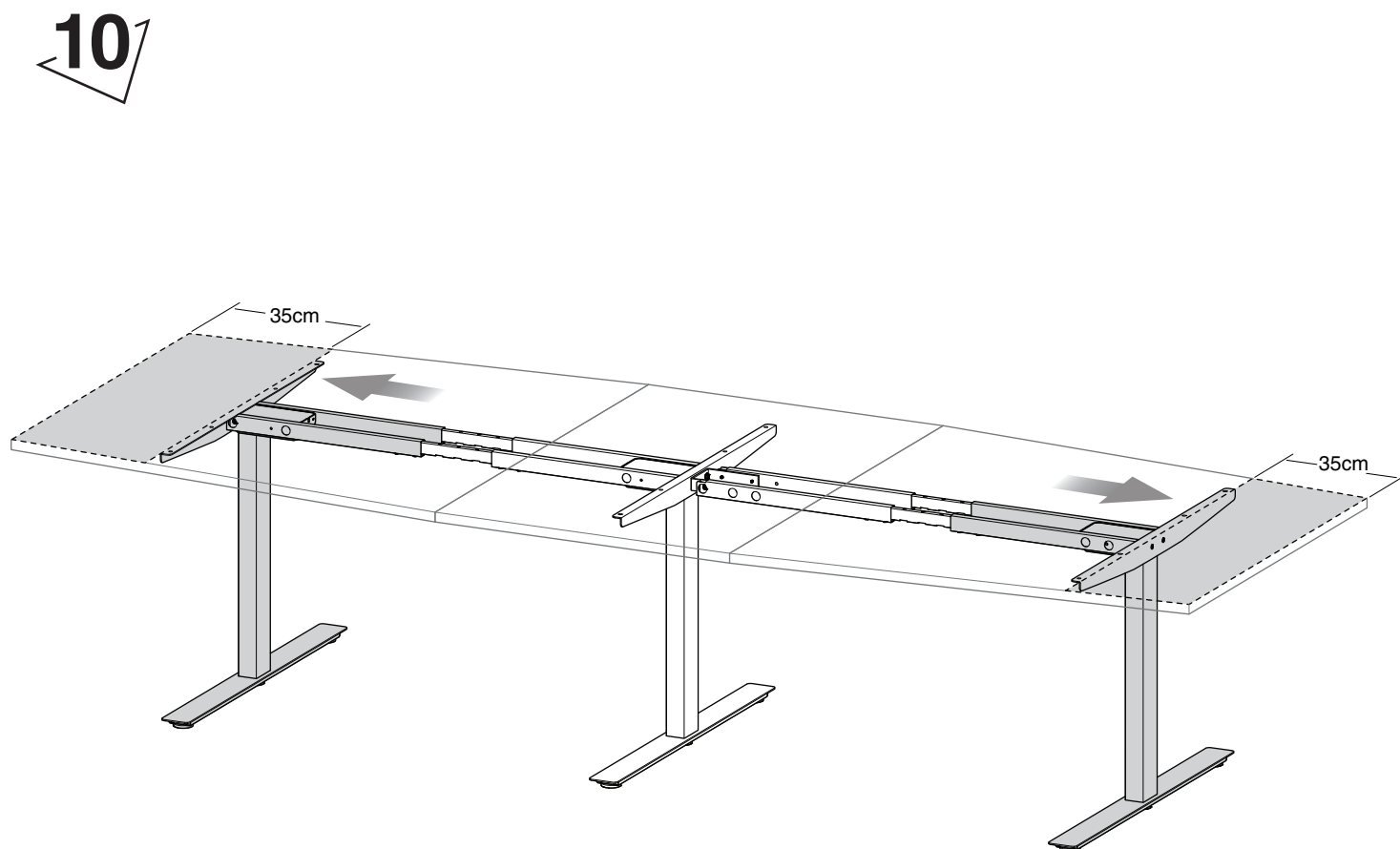
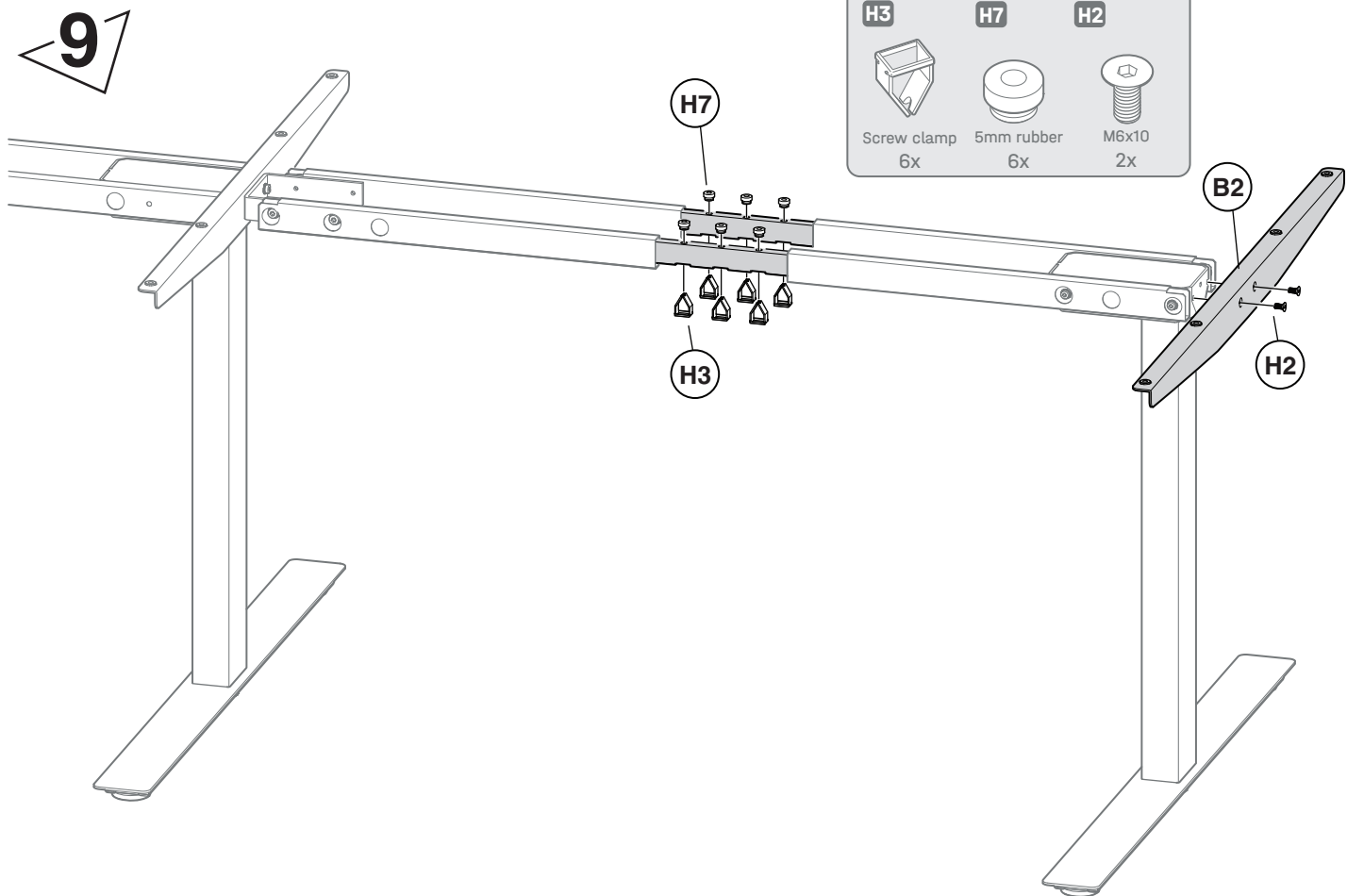
7



8

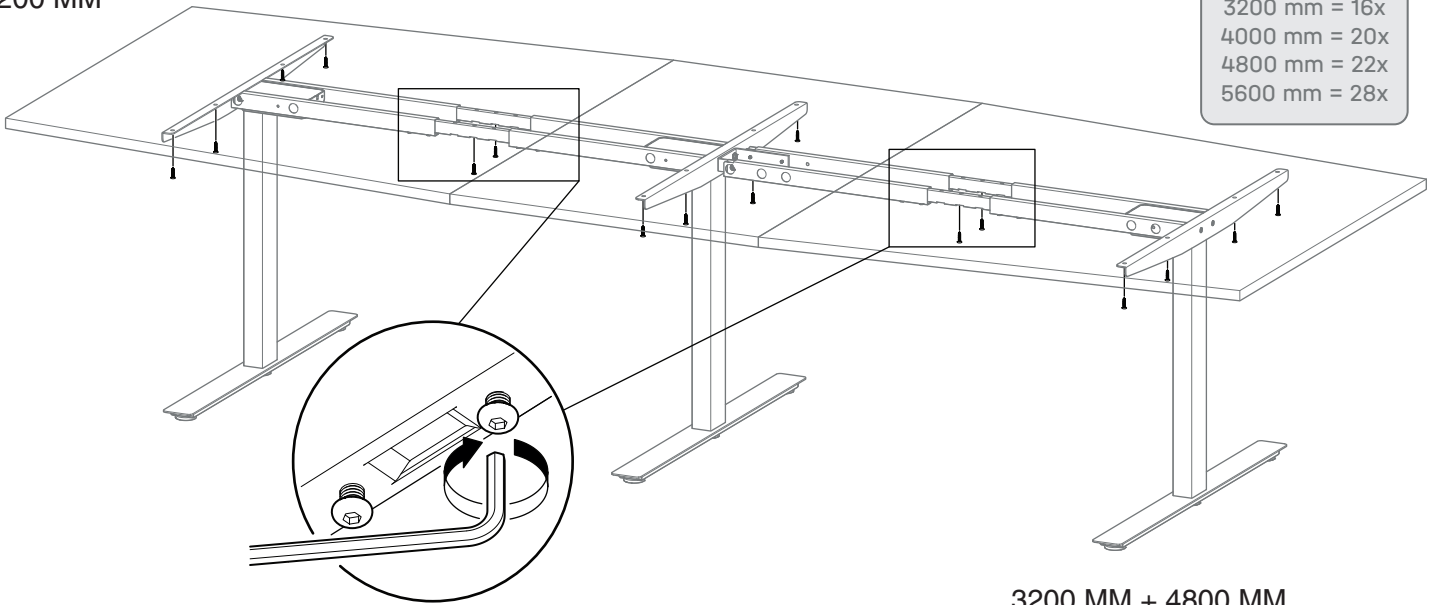


For 4-leg assembly, repeat step 7-8.



11

3200 MM

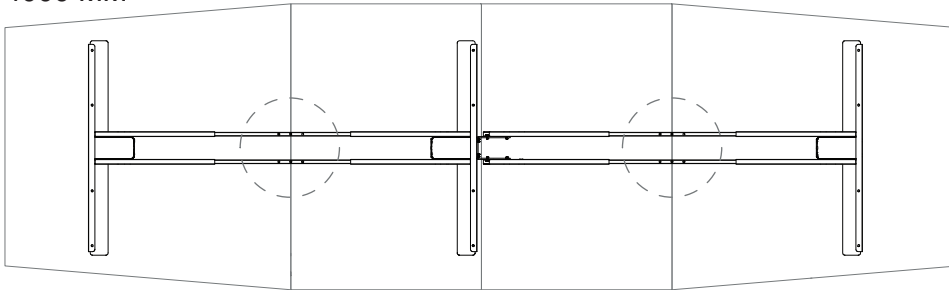


H8

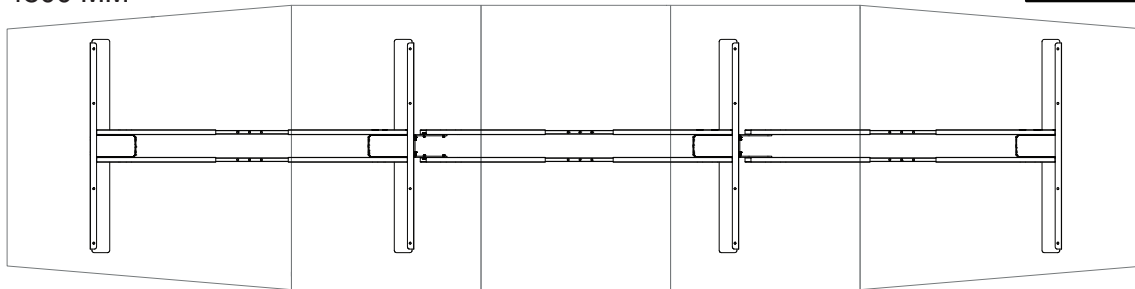


Tapping screw 5x20
3200 mm = 16x
4000 mm = 20x
4800 mm = 22x
5600 mm = 28x

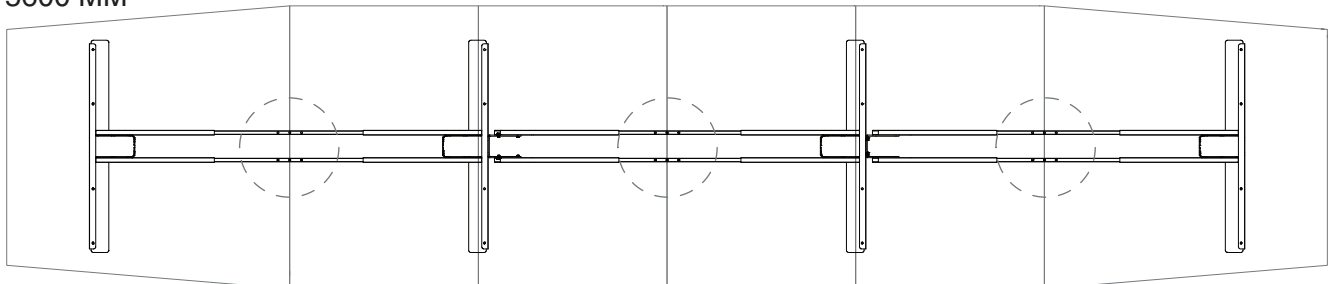
4000 MM



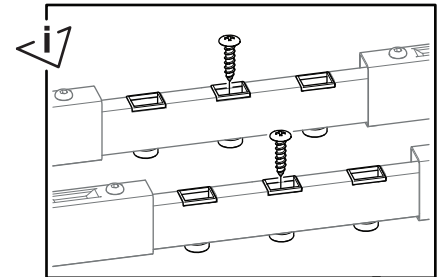
4800 MM



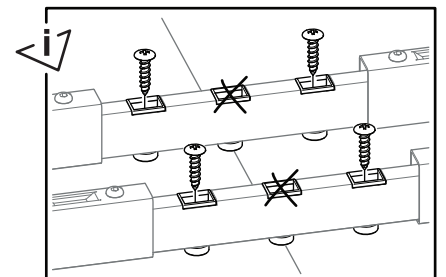
5600 MM



3200 MM + 4800 MM



4000 MM + 5600 MM



Assembly instructions - 3-4 leg conference table

English

Step 1

Start with the two crossbar rails **(B3)**. Make sure that you pick the correct ones, as they are very similar to the add-on crossbar rails **(B8)**. See illustration to check the difference. The crossbar rails are compressed when delivered.

1. Loosen the set screws slightly and extend the inner rail.

Step 2

1. Take two legs **(B1)** and lay them on a flat surface.
2. Place a crossbar rail **(B3)** across the legs, ensuring the square holes on the inner rail face down.
3. Attach the crossbar to the legs with four M6×12 screws **(H1)**.

Step 3

1. Flip the assembly and place the second crossbar rail **(B3)**, install with four M6×12 screws **(H1)**.

Step 4

1. Attach six rubber bushings **(H7)** in the round holes on the middle rails, facing upwards towards the table top.
2. Attach six plastic screw clamps **(H3)** in the square holes on the middle rails.

Step 5

1. Remove the middle plastic adjustable feet on **(B4)** by turning it counter-clockwise.
2. Install the feet **(B4)** by using two M8×14 screws **(H5)** each. Re-install the plastic adjustable feet.

Step 6

1. Install one side bracket **(B2)**, using two M6×10 screws **(H2)**.

Step 7

These steps describe the assembly of the add-on leg.

1. Attach the two add-on crossbar rails **(B8)** to a leg **(B1)** by using four M6×12 screws **(H1)**.
2. Install one foot **(B4)** by using two M8×14 screws **(H5)** each.

Step 8

1. To attach the add-on leg to the table frame, add one side bracket **(B2)** and the add-on bracket **(B9)**, using two M6×12 screws **(H1)**.
2. Attach the add-on leg to the add-on bracket **(B9)**, using four M6×12 screws **(H1)**.
If you are building a 4-leg table, repeat steps 7 and 8.

Step 9

1. On the add-on leg, attach six rubber bushings (H7) in the round holes on the middle rails, facing upwards towards the table top. Attach six plastic screw clamps (H3) in the square holes on the middle rails.
2. Install a side bracket (B2) with two M6×10 screws (H2).

Step 10

1. Adjust the width of the frame assembly by moving the outer legs closer together or farther apart. For a conference table, we recommend a distance of 35-40cm between the leg frame and the edge of the table top.

Step 11

1. When you are done with the adjustment of the frame, fix the frame assembly by tightening the set screws on all crossbar rails.
2. If applicable, connect each table top with the included fixings (included with the table tops).
3. Fix the table tops to the frame by using tapping screw 5×20 (H8). On width 4000 and 5600mm, use two screws for each crossbar rail and skip the middle one.