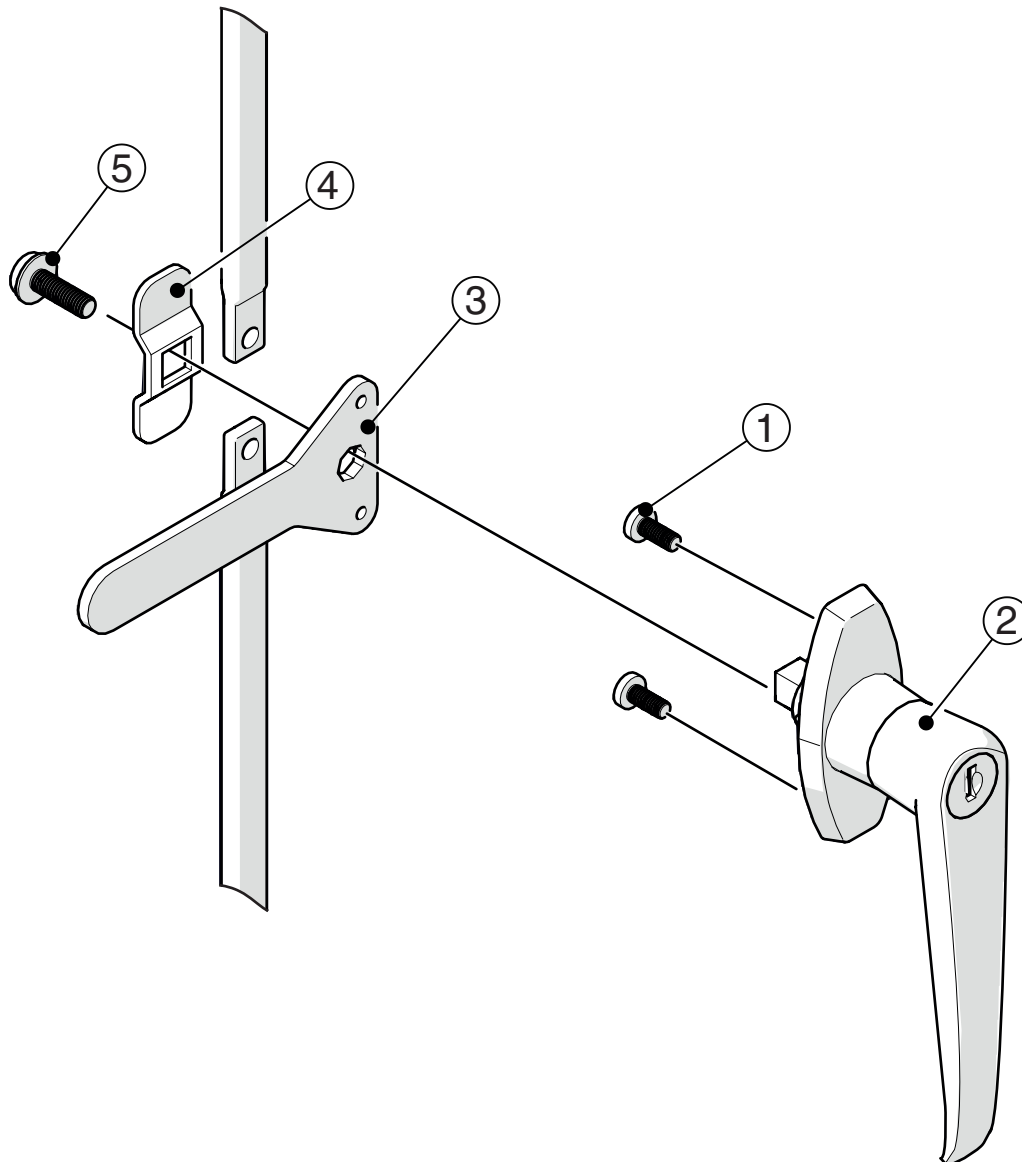




ASSEMBLY INSTRUCTIONS HANDLE WITH LOCK



- A. Loosen the screws (1) from the handle (2)
- B. Put the handle through the hole in the door.
- C. Fasten the handle with the screws.
- D. Attach the lock rod washer (3) with the long pegs toward the cabinet.
- E. The espagnolette rods should go through the holes intended for these at the bottom and the top of the door. After that, fasten the rods to the pegs on the lock rod washer.
- F. Attach the lock washer (4).
- G. Attach the screw (5) to the handle.